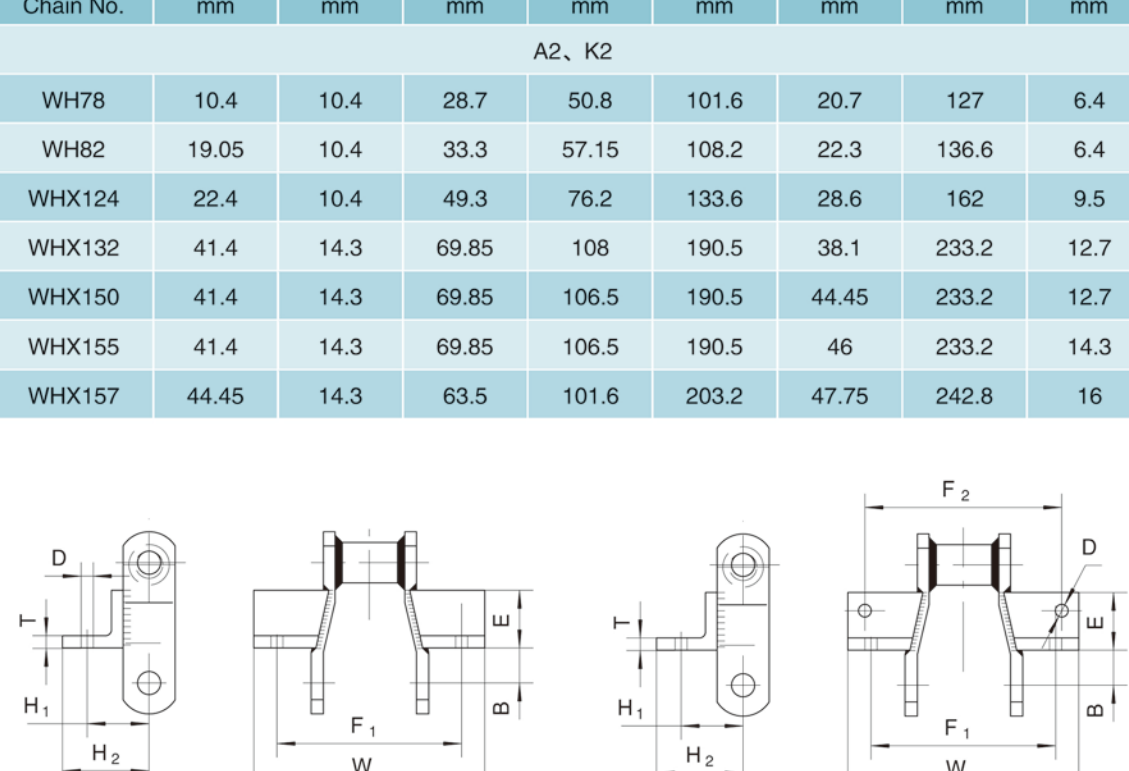
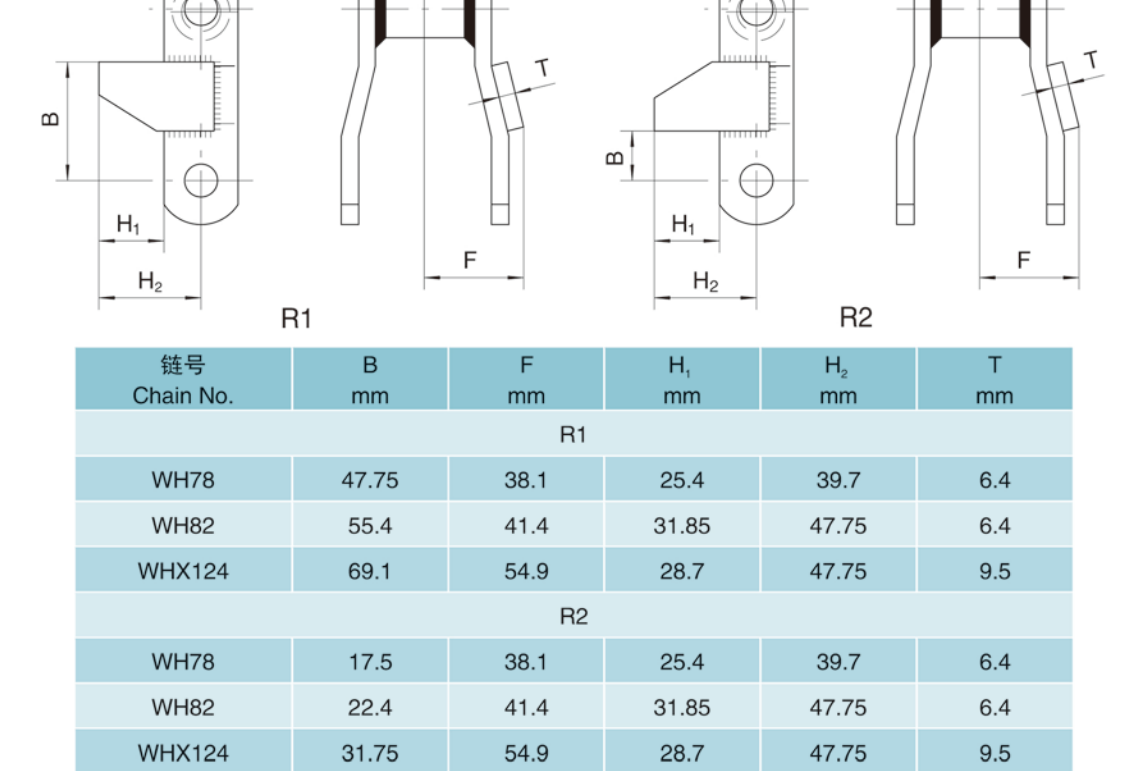


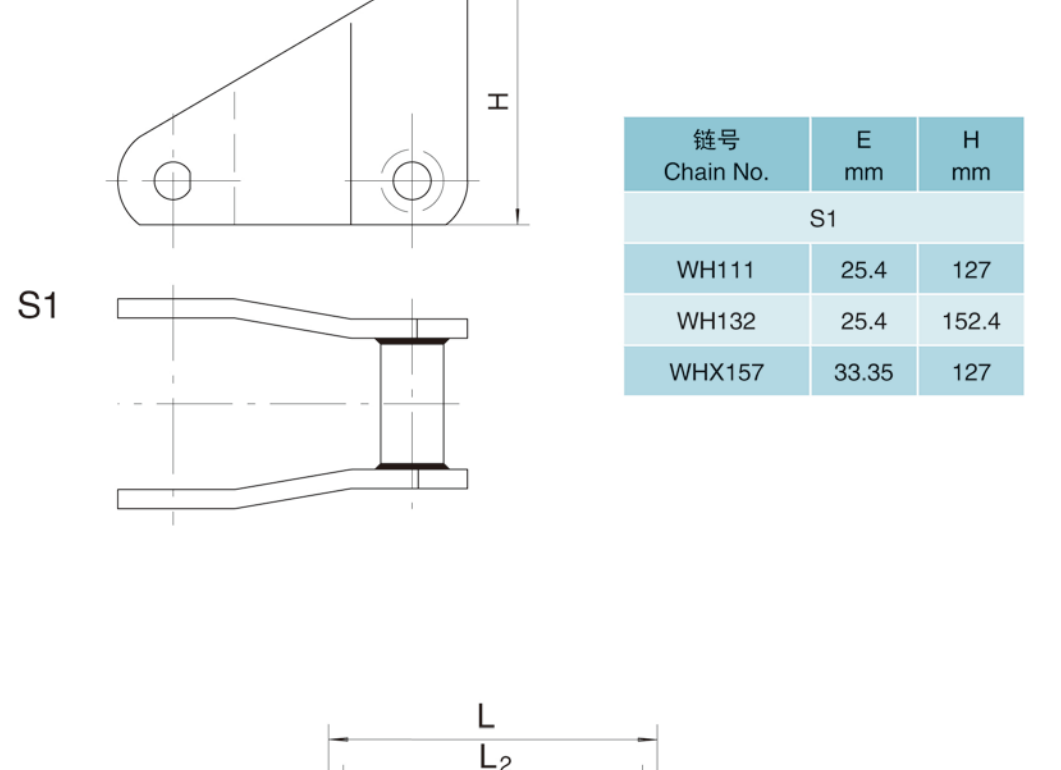
链号 Chain No.	B mm	D mm	E mm	F mm	H mm	W mm	T mm
A1							
WH78	31.75	10.4	31.75	50.8	20.7	63.5	6.4
WH82	38.1	10.4	44.45	53.1	22.3	69.85	6.4
A22							
WH78	33.3	10.4	25.4	47.8	/	63.5	9.5
WH124	50.8	11	38.1	75	/	95	9
K1							
WH78	31.75	10.4	31.75	101.6	20.7	127	6.4
WH82	38.1	10.4	44.45	106.2	22.3	139.7	6.4



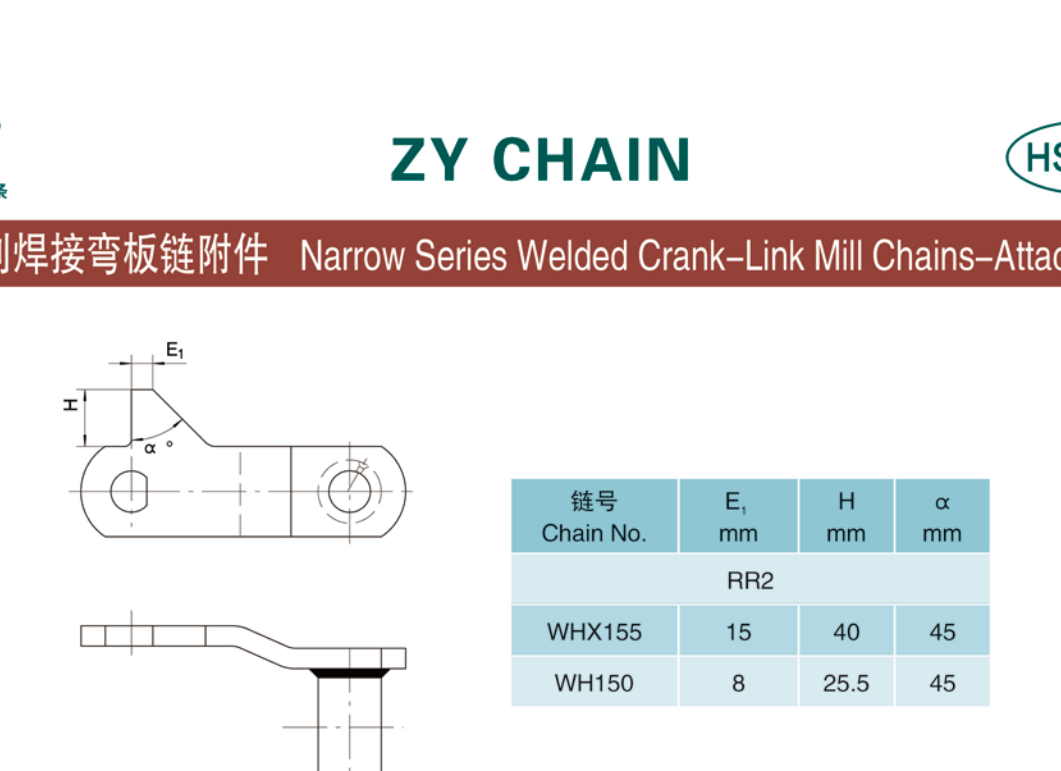
链号 Chain No.	B mm	D mm	E ₁ mm	E ₂ mm	F mm	H mm	W mm	T mm
A2, K2								
WH78	10.4	10.4	28.7	50.8	101.6	20.7	127	6.4
WH82	19.05	10.4	33.3	57.15	108.2	22.3	136.6	6.4
WHX124	22.4	10.4	49.3	76.2	133.6	28.6	162	9.5
WHX132	41.4	14.3	69.85	108	190.5	38.1	233.2	12.7
WHX150	41.4	14.3	69.85	106.5	190.5	44.45	233.2	12.7
WHX155	41.4	14.3	69.85	106.5	190.5	46	233.2	14.3
WHX157	44.45	14.3	63.5	101.6	203.2	47.75	242.8	16



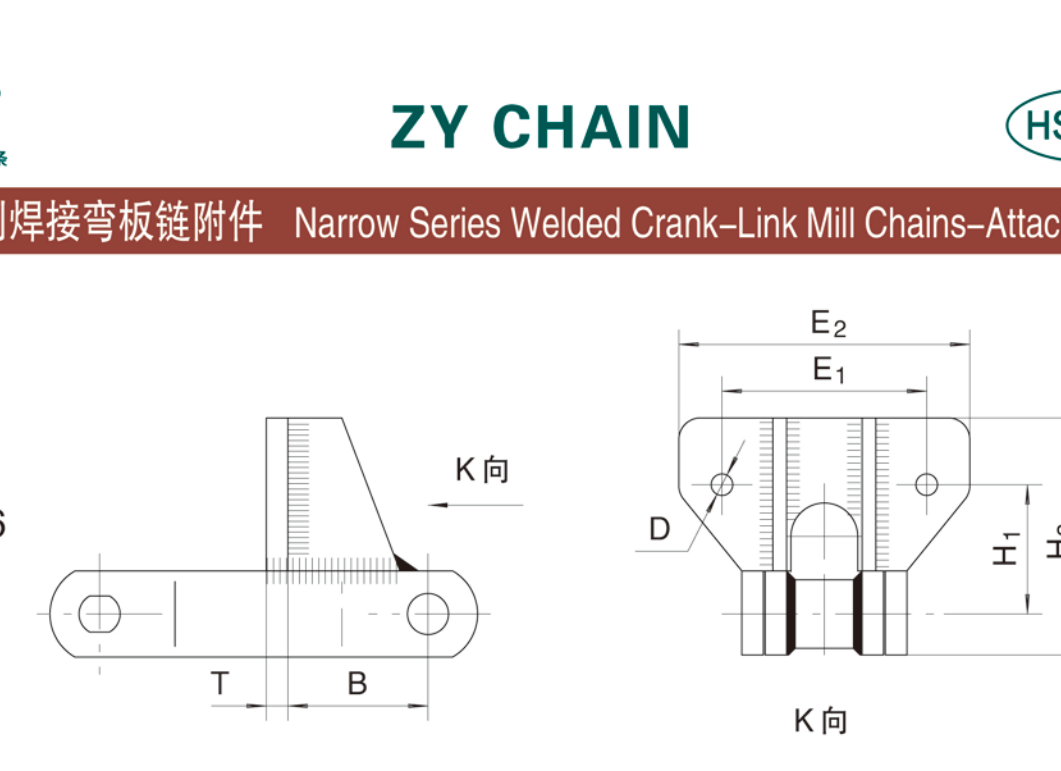
链号 Chain No.	B mm	D mm	E mm	F ₁ mm	F ₂ mm	H ₁ mm	H ₂ mm	T mm	W mm
F2									
WH78	14.23	10.4	31.75	95.25	/	36.58	58.67	6.4	119
F4									
WH78	17.53	10.4	31.75	95.25	114.3	44.45	58.67	6.4	139.7
WH82	20.57	10.4	28.7	104.9	127	45.97	60.45	6.4	150.9
WHX124	22.35	10.4	36.07	111.25	133.35	52.32	77.72	9.5	157.2



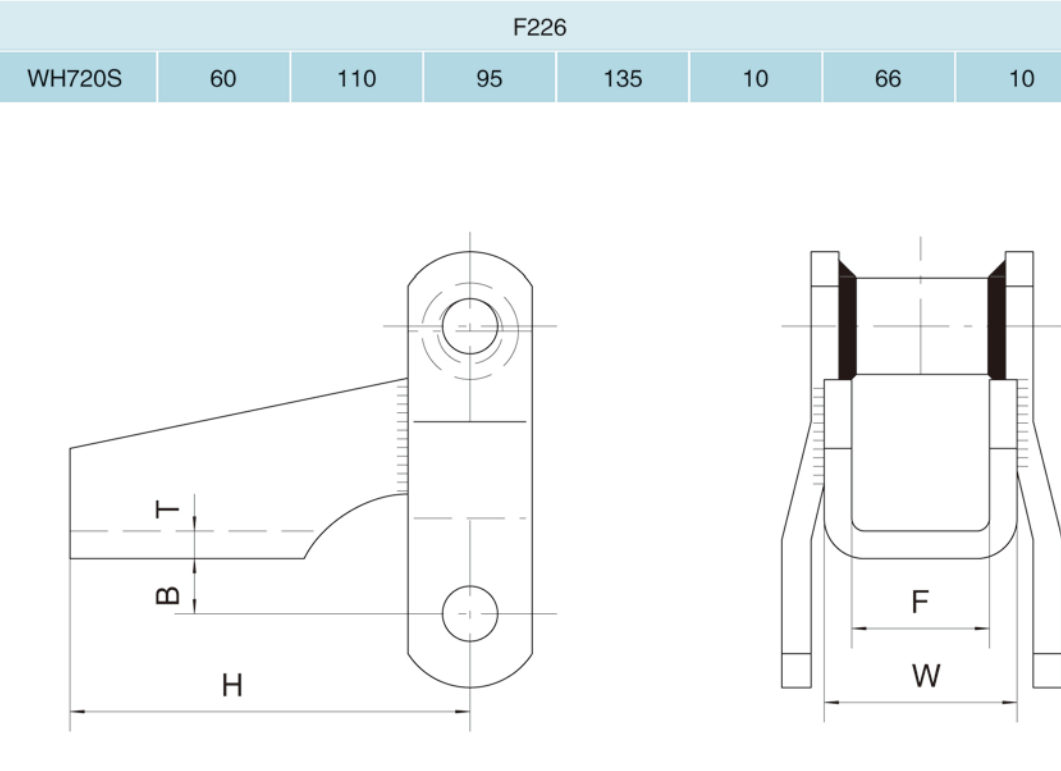
链号 Chain No.	B mm	F mm	H ₁ mm	H ₂ mm	T mm
R1					
WH78	47.75	38.1	25.4	39.7	6.4
WH82	55.4	41.4	31.85	47.75	6.4
WHX124	69.1	54.9	28.7	47.75	9.5
R2					
WH78	17.5	38.1	25.4	39.7	6.4
WH82	22.4	41.4	31.85	47.75	6.4
WHX124	31.75	54.9	28.7	47.75	9.5



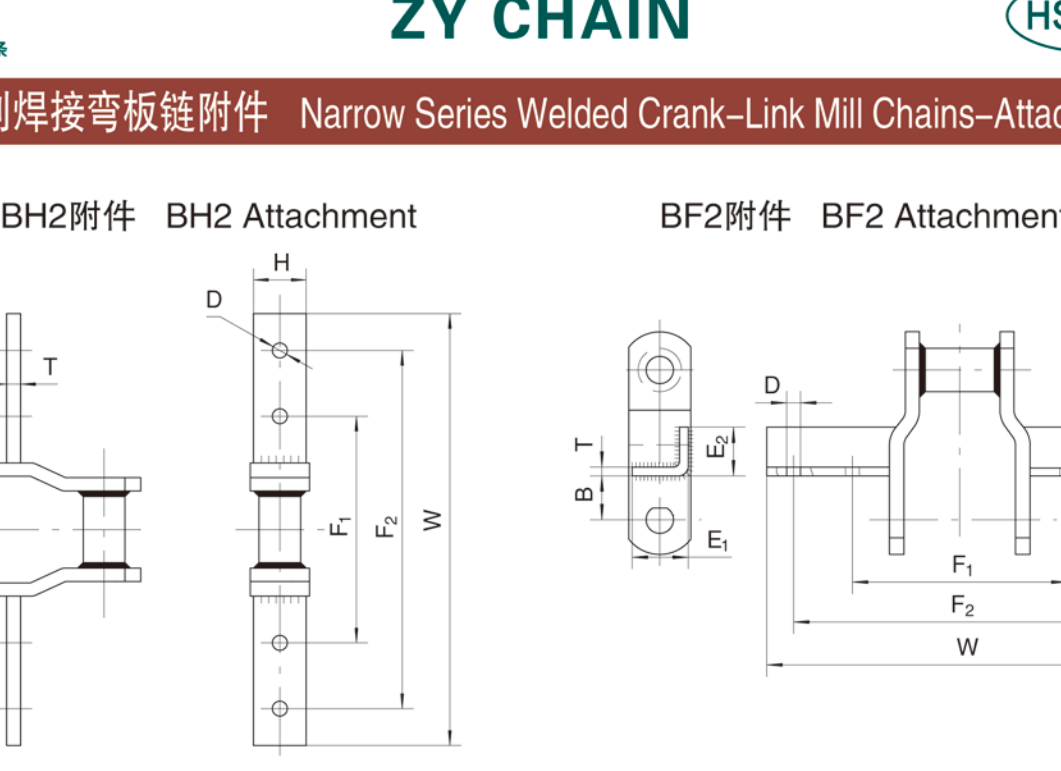
链号 Chain No.	B mm	F mm	H ₁ mm	H ₂ mm	T mm
RR1					
WH78	47.75	76.2	25.4	39.7	6.4
WH82	55.4	82.8	31.85	47.75	6.4
WHX124	69.1	109.8	28.7	47.75	9.5
RR2					
WH78	17.5	76.2	25.4	39.7	6.4
WH82	22.4	82.8	31.85	47.75	6.4
WHX124	31.75	109.8	28.7	47.75	9.5



链号 Chain No.	E mm	H mm
S1		
WH111	25.4	127
WH132	25.4	152.4
WHX157	33.35	127



链号 Chain No.	D mm	H ₁ mm	H ₂ mm	L mm	L ₁ mm	L ₂ mm
F20						
DWR78	32	46.6	78.5	121	55.5	111



链号 Chain No.	E ₁ mm	H mm	α mm
RR2			
WHX155	15	40	45
WH150	8	25.5	45

链号 Chain No.	B mm	E mm	E ₁ mm	H mm	T mm	W mm
RFA						
WH132	15	50	69	66.2	12	165
WHX155	18	50	42	52	12	152

链号 Chain No.	E mm	E ₁ mm	H mm	T mm	W mm
RFB					
FHX150	50	42	52	12	152
WH124	40	30	40	6	90

链号 Chain No.	H ₁ mm	H ₂ mm	E ₁ mm	E ₂ mm	D mm	B mm	T mm
F226							
WH720S	60	110	95	135	10	66	10

链号 Chain No.	B mm	F mm	H mm	T mm	W mm
H1					
WH78	12.7	31.7	92.2	6.4	44.5
WH82	16	38	92.2	6.4	50.8

链号 Chain No.	H mm	F ₁ mm	F ₂ mm	W mm	D mm	B mm	T mm
BH2							
WH78	28	120	200	230	9	15	8
WH82	31.8	130	180	220	10	17	6
WH124	38.1	145	315	376	11	46	9.5
WH111	38.1	170	347	387	12	31.8	10
WH132	44.5	206.8	336.8	506.8	13	20	12
WH150	44.5	206.8	426.8	506.8	18	20	14
WH132	50.8	219.4	370	450	14	77.3	12.7
WH155	50.8	200	619.1	665	14.3	50.8	14
WHX155	50	203.1	593.1	660	13	50	12
WHX157	63.5	270	450	530	18	32	16
WHX157	63.5	310	570	700	18	32	16

链号 Chain No.	E ₁ mm	E ₂ mm	F ₁ mm	F ₂ mm	W mm	D mm	B mm	T mm
BF2								
WH124	38.1	38.1	154.3	322.3	376.3	12	31.8	6
WH111	38.1	38.1	154.3	627.3	681.3	12	31.8	6
WH132	45	45	206.8	606.8	706.8	13	86	6
WH150	50	50	218	458.7	538.7	14	50	6
WH150	75	50	221	736	816	16	40	8
WH150	50.8	50	240	520	590	13	73.67	5
WH150	50.8	50.8	200	590	652.5	14.3	50.8	6
WHX155	50	75	260	720	790	13	73.67	6
WHX155	63.5	63.5	220	395	455	14.3	45	10
WHX157	63	63	280	760	890	18	106	8